

# BEACH



VILMERS

# BEACH



Loose fit



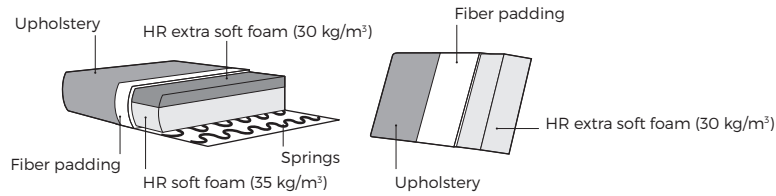
Functional



Covered sides



## Comfort



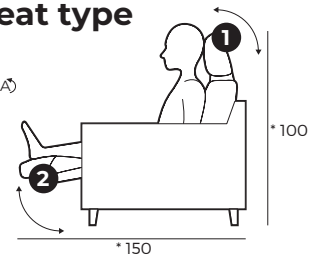
### 1. Upholstery



\* Leather and fabric upholstery contain the same number of stitches.

### 2. Headrest & seat type

- 1 Manual ↗ / Electrical ↻
- 2 Electrical ↻



\* Measurements for fully opened mechanism.

### 3. Legs



Oiled  
590 With BENTO armrest  
607 With SHARE armrest

### 4. Armrests



**BENTO\***  
W 25 x D 111 x H 64



**SHARE**  
W 19 x D 111 x H 64



**OMEGA\***  
W 5 x D 109 x H 50

\*Only with seater modules.



**DUNE**  
W 24 x D 115 x H 60

#### IMPORTANT:

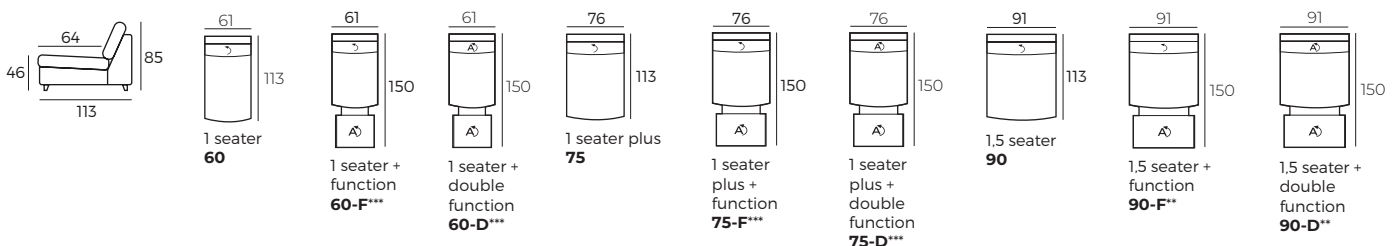
Upholstered furniture is handmade using soft materials, therefore measurements can vary in all modules by up to +/- 2 cm. Modules and combinations shown in 2D drawings are left-sided. Modules and combinations can be mirrored from left to right.

Parts with a mechanism always have fibertex covered sides.  
Sofa mechanism with two motors.

Each module of this product has different width of vertical seam splitting gaps, so you can get an uneven visual appearance when connecting different modules.

### Modules (Measurements with BENTO armrest)

Scale 1:100



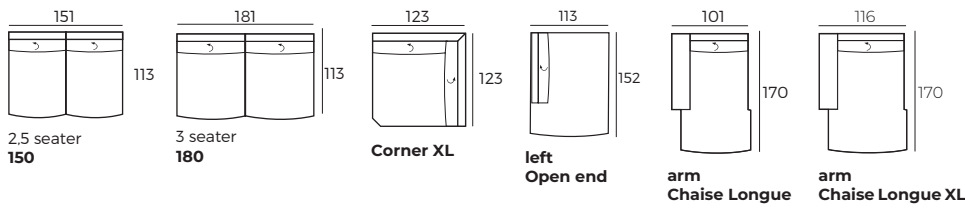
\*\*\*Vintage leather selection is not available.

**REST ASSURED**  
vilmers.com

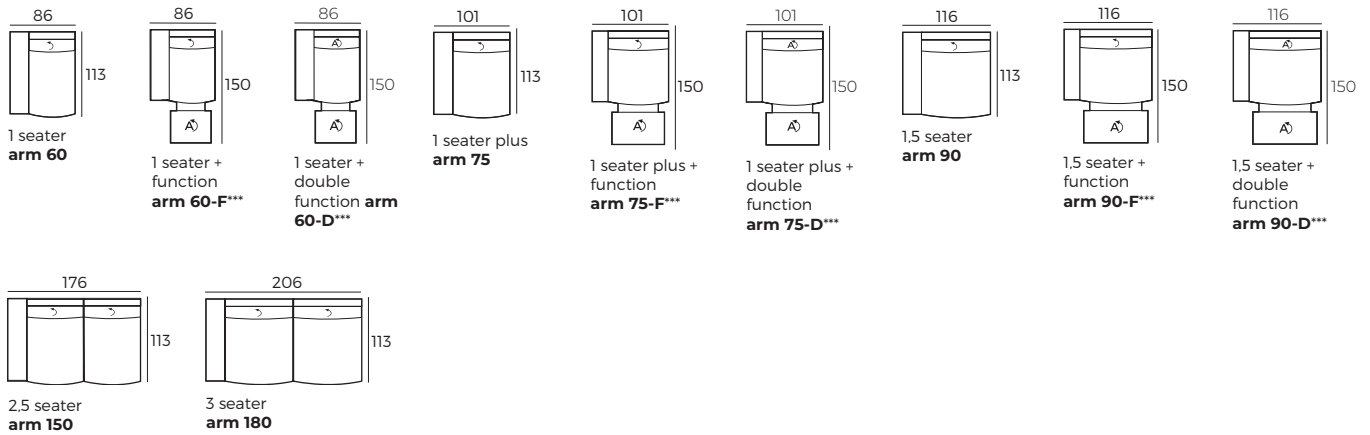
# BEACH

## Modules (Measurements with BENTO armrest)

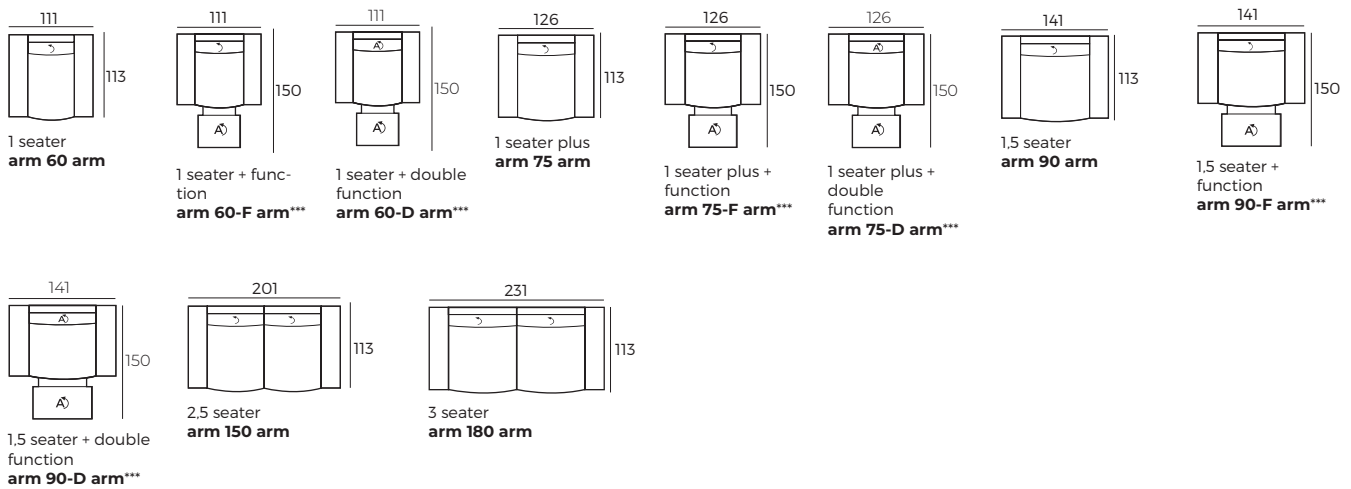
Scale 1:100



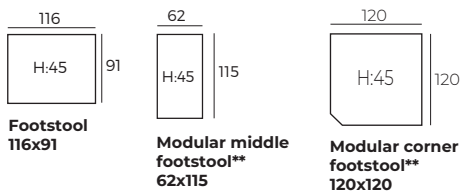
## Modules with armrest (Measurements with BENTO armrest)



## Combinations (Measurements with BENTO armrest)



## Accessories



↵ - manual; ⚡ - electrical \*F - single electric function; \*D - double electric function

\*\* These footstools are only available when used in modular configurations.

\*\*\* Vintage leather selection is not available.