

# CALLA



VILMERS

# CALLA



Movable back



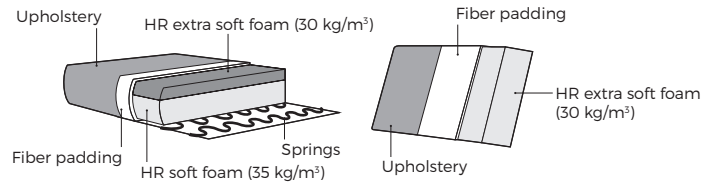
Covered sides



Fix cushions



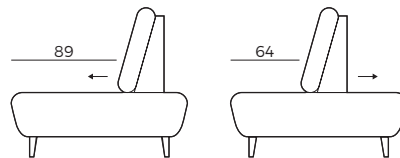
## Comfort



### 1. Upholstery



### 2. Movable back



### 3. Legs

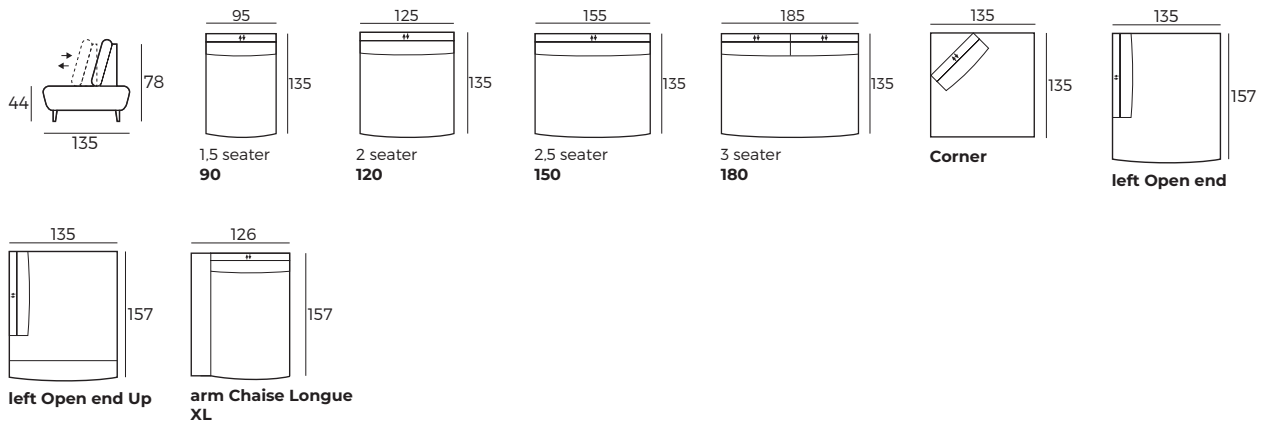


#### IMPORTANT:

Upholstered furniture is handmade using soft materials, therefore measurements can vary in all modules by up to **+/-2 cm**.  
Modules and combinations shown in 2D drawings are left-sided. Modules and combinations can be mirrored from left to right.

## Modules

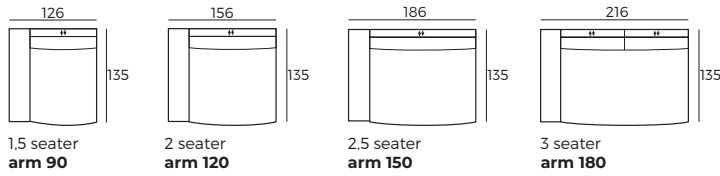
Scale 1:100



# CALLA

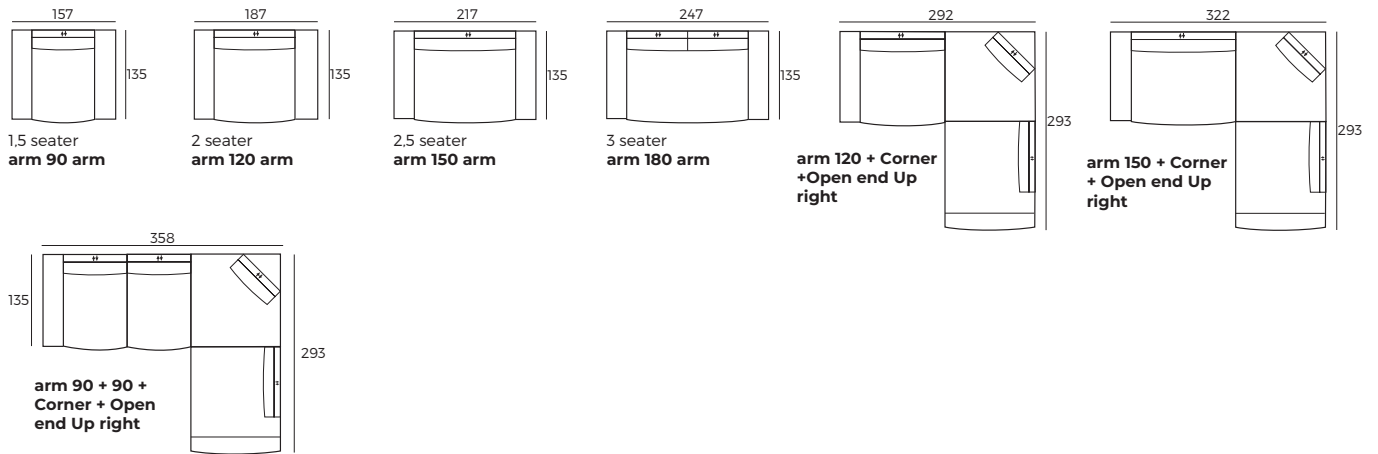
## Modules with armrest

Scale 1:100

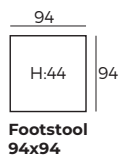


## Combinations

Scale 1:100



## Accessories



⇄ - movable back seat depth