

CAVE



VILMERS

CAVE



Covered sides



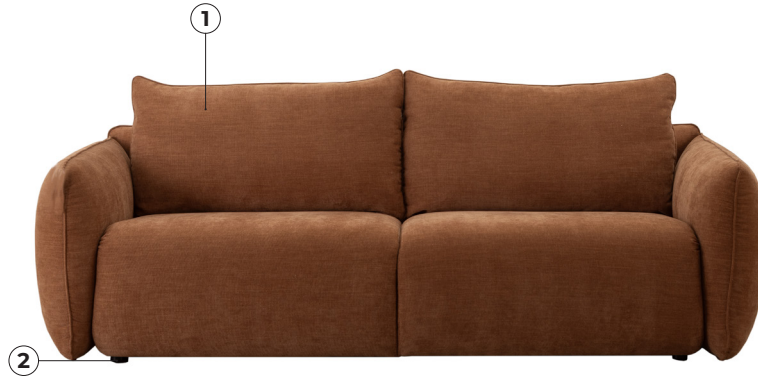
Feathers



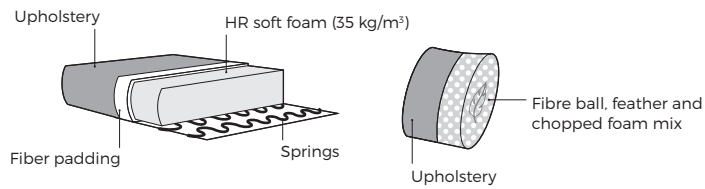
Removable cover



Loose back cushions



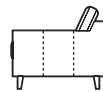
Comfort



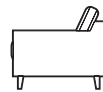
1. Upholstery



Leather*



Fabric



* Leather upholstery may require more stitches than fabric upholstery.

2. Legs

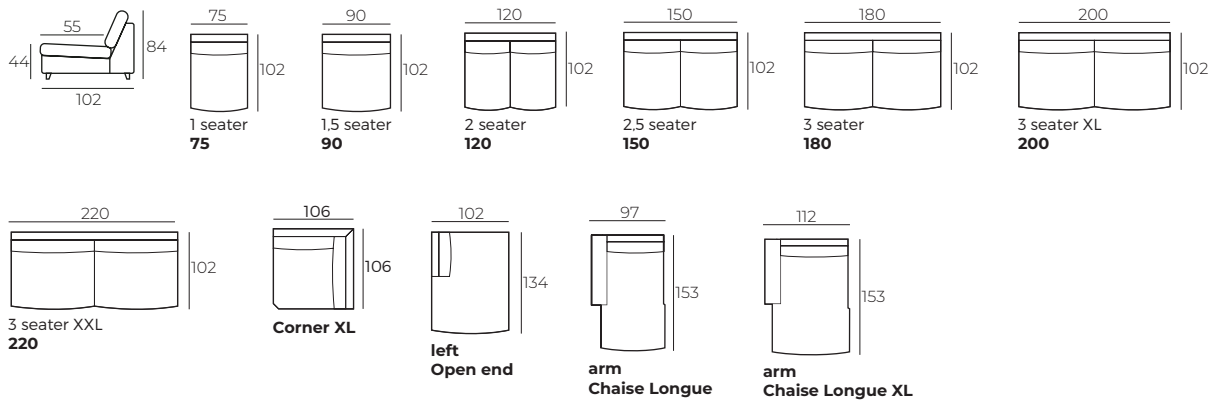


IMPORTANT:

Upholstered furniture is handmade using soft materials, therefore measurements can vary in all modules by up to **+/-2 cm**.
Modules and combinations shown in 2D drawings are left-sided. Modules and combinations can be mirrored from left to right.

Modules

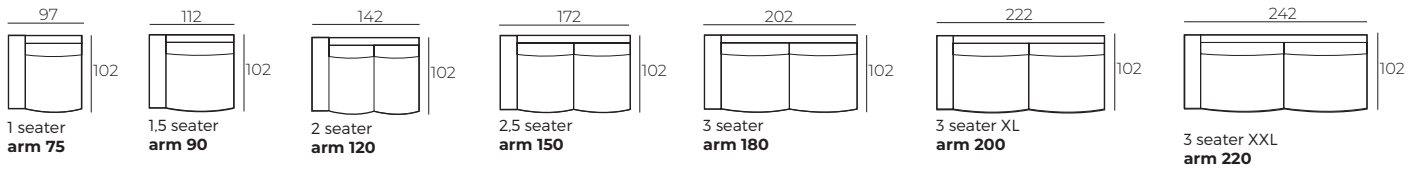
Scale 1:100



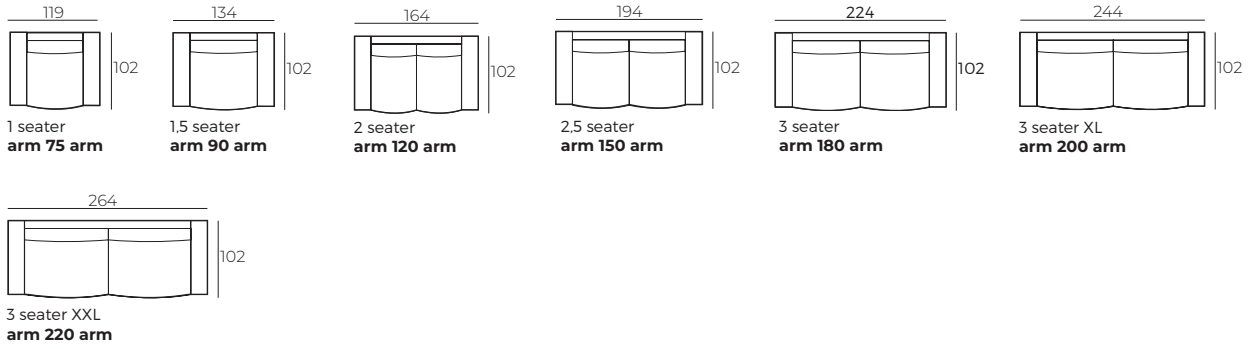
CAVE

Modules with armrest

Scale 1:100



Combinations



Accessories

