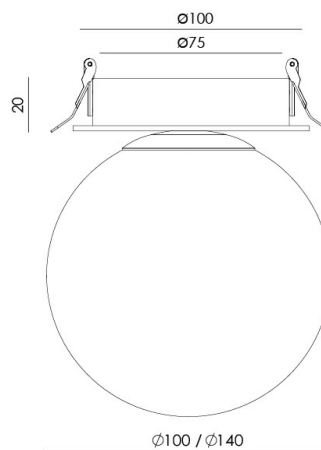




BALL

T0320



PRODUCT

Material	Glass / Aluminium
Finishes	Opal
Category	Ceiling Recessed

TECHNICAL SPECIFICATIONS

Type Of Light Source	G9
Power	2.2W
Luminous Flux	132lm
Color Temperature	2700K
CRI	>80
Lighting Efficiency	60lm/W
Light Beam Angle	330°
Sealing	IP20
Tamaño	Ø10 Ø14

REGULATION

Driver	No
Dimming	TRIAC Dimmable