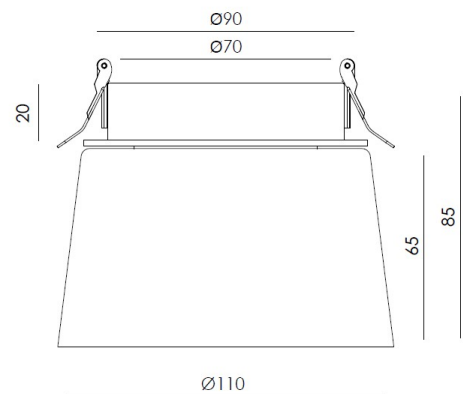




## CUP

T0329



### PRODUCT

Material	Ceramics
Finishes	Color Palete
Category	Ceiling Recessed

### TECHNICAL SPECIFICATIONS

Type Of Light Source	Smd
Power	4.5W
Luminous Flux	215lm
Color Temperature	2700K   3000K   4000K
CRI	>90
Lighting Efficiency	46lm/W
Light Beam Angle	98°
Sealing	IP20

### REGULATION

Driver	Yes (Included)
Dimming	TRIAC Dimmable