

# WATERFALL



VILMERS

# WATERFALL



Loose fit



Loose cushions

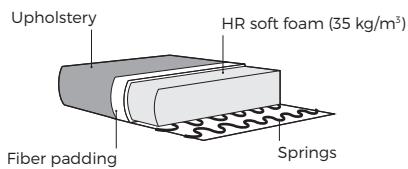


Removable cover

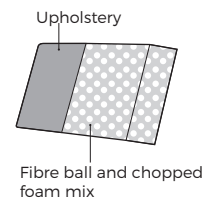
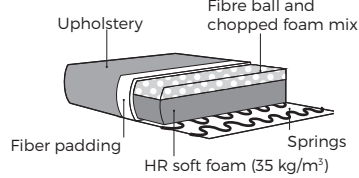


## Comfort selection

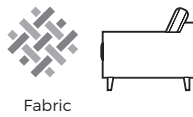
### 1. SOFT COMFORT



### 2. EXTRA SOFT COMFORT

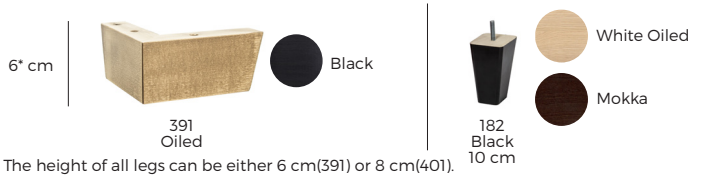


## 1. Upholstery



Fabric

## 2. Legs



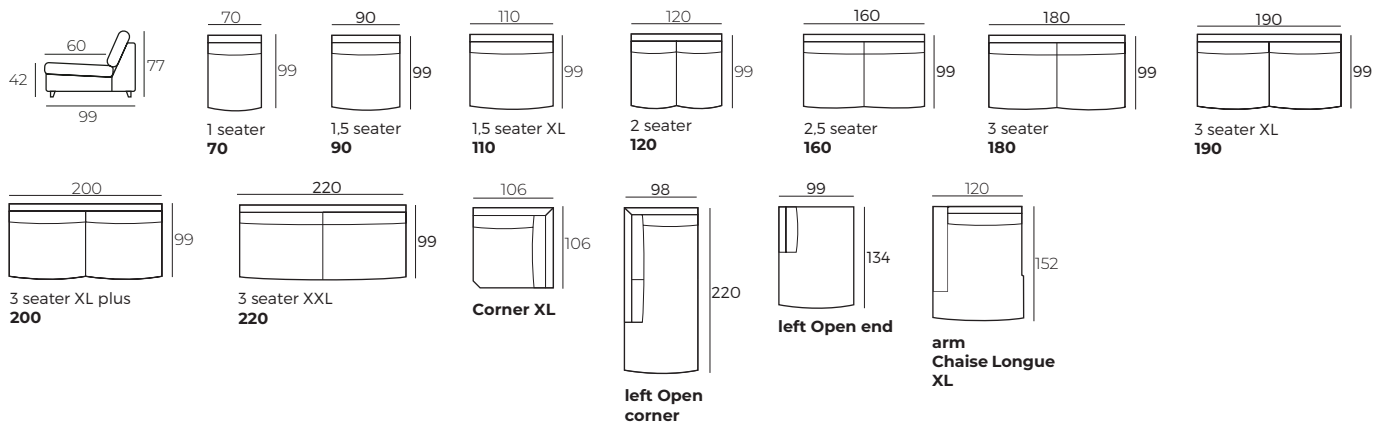
\* The height of all legs can be either 6 cm(391) or 8 cm(401).

### IMPORTANT:

Upholstered furniture is handmade using soft materials, therefore measurements can vary in all modules by up to **+/-2 cm**.  
 Modules and combinations shown in 2D drawings are left-sided. Modules and combinations can be mirrored from left to right.  
 For an additional fee, the sides of each seater module can be covered in fabric.

## Modules

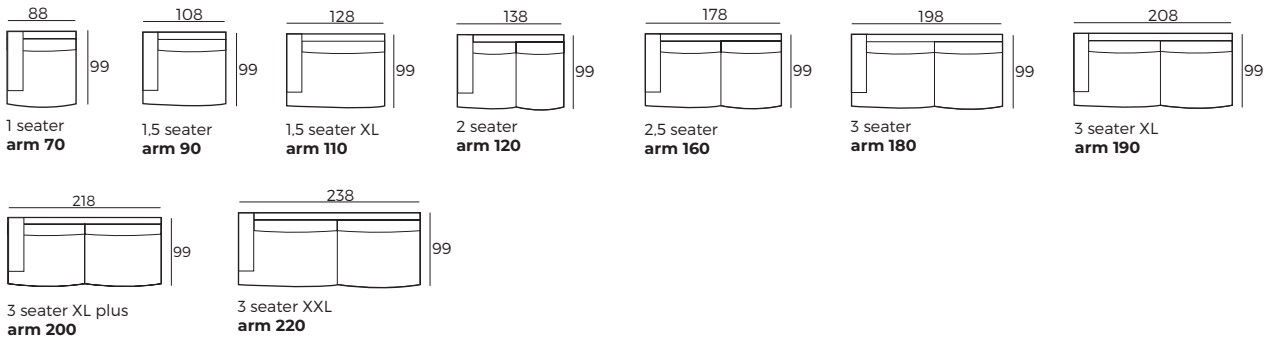
Scale 1:100



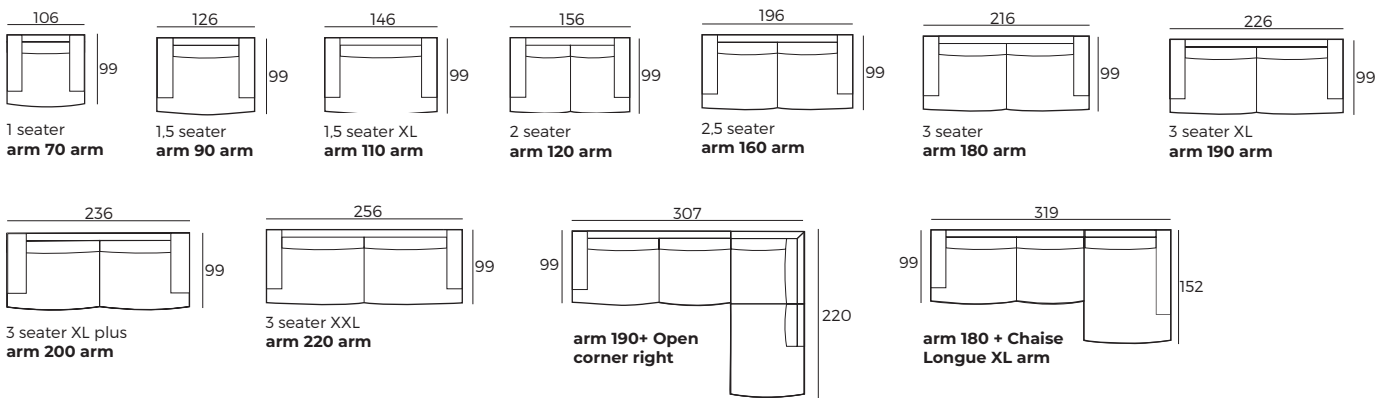
# WATERFALL

## Modules with armrest

Scale 1:100



## Combinations



## Accessories

